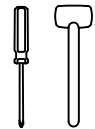
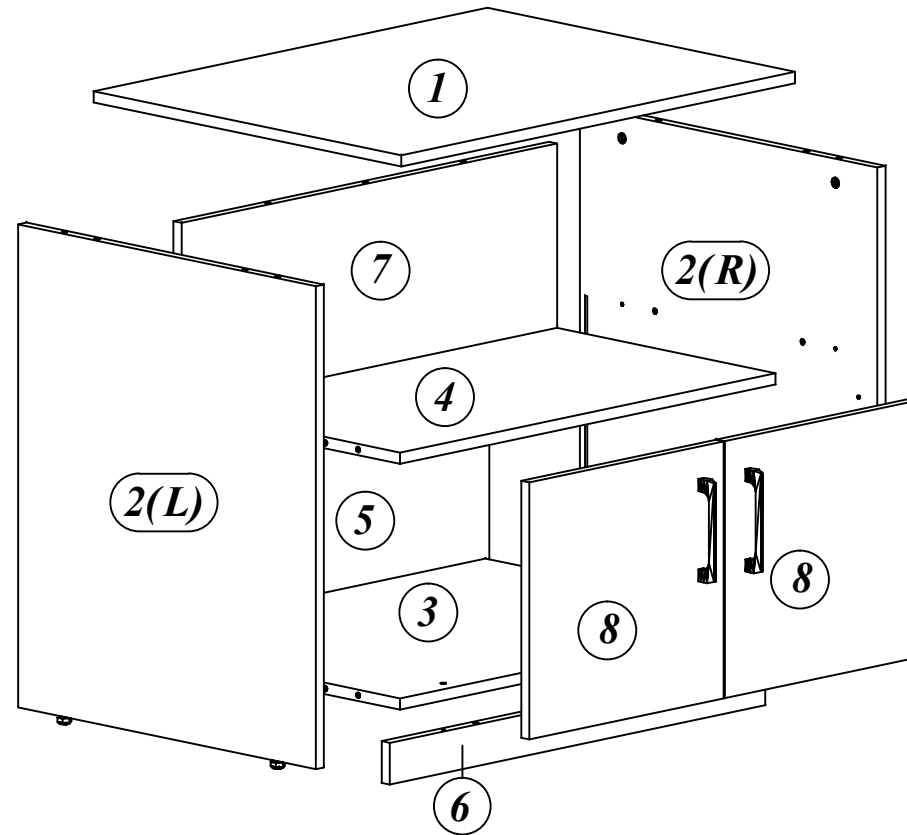
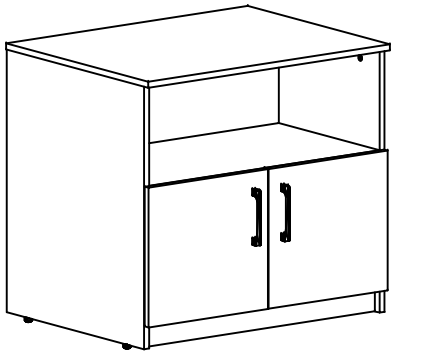


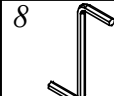
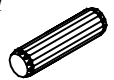









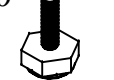

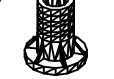

SCS 776

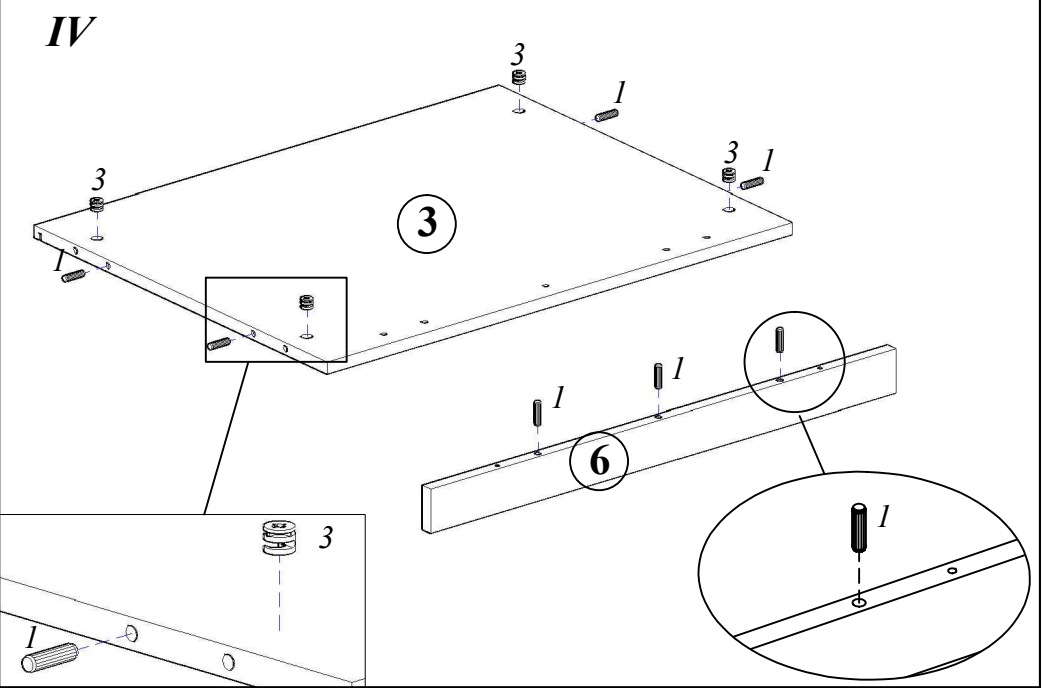
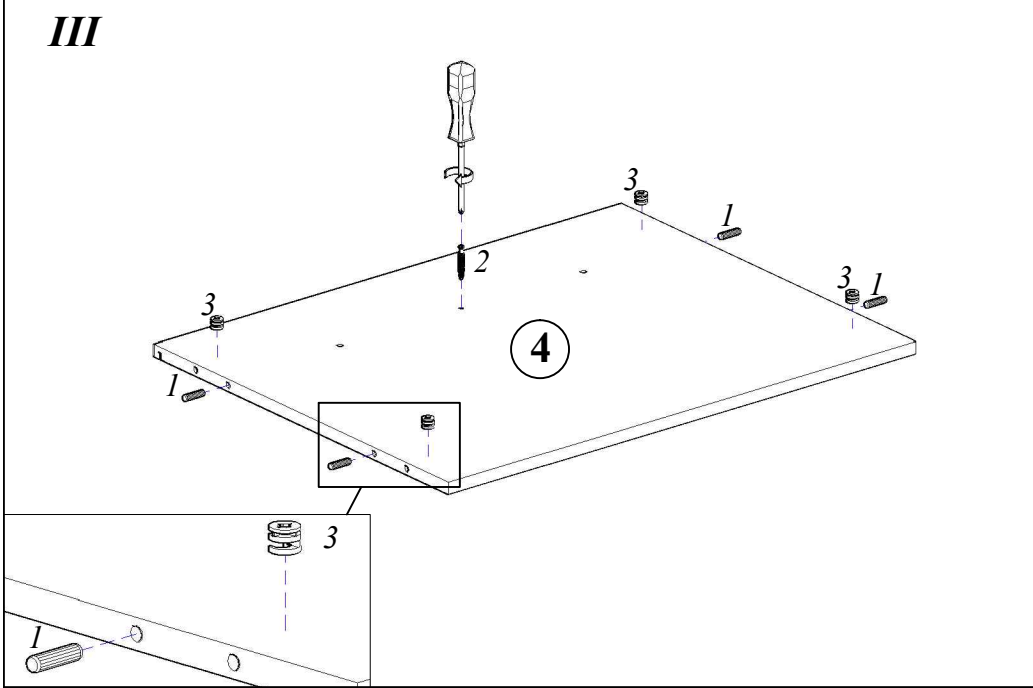
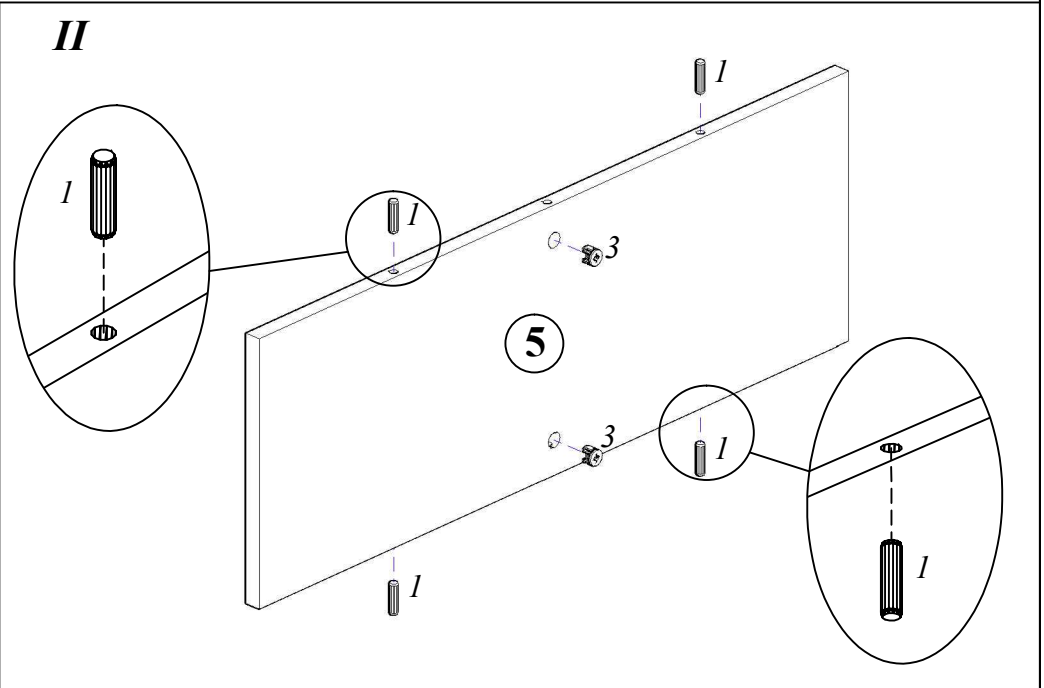
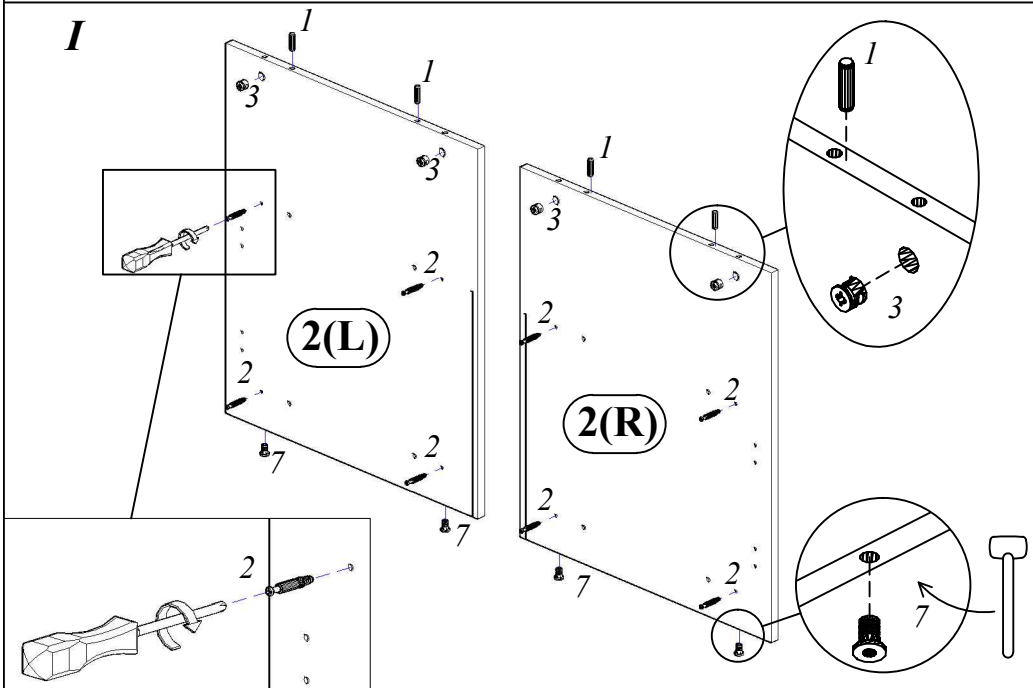
1



EAC

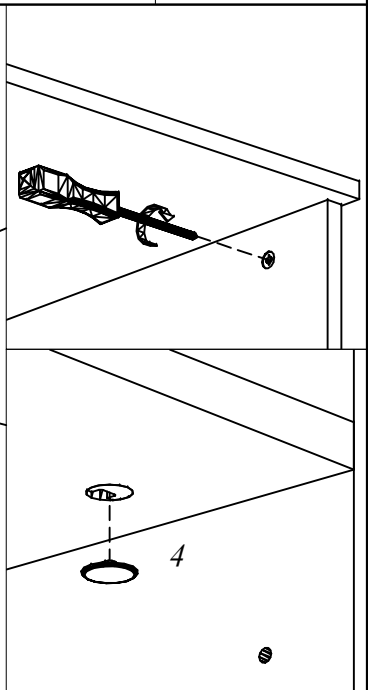
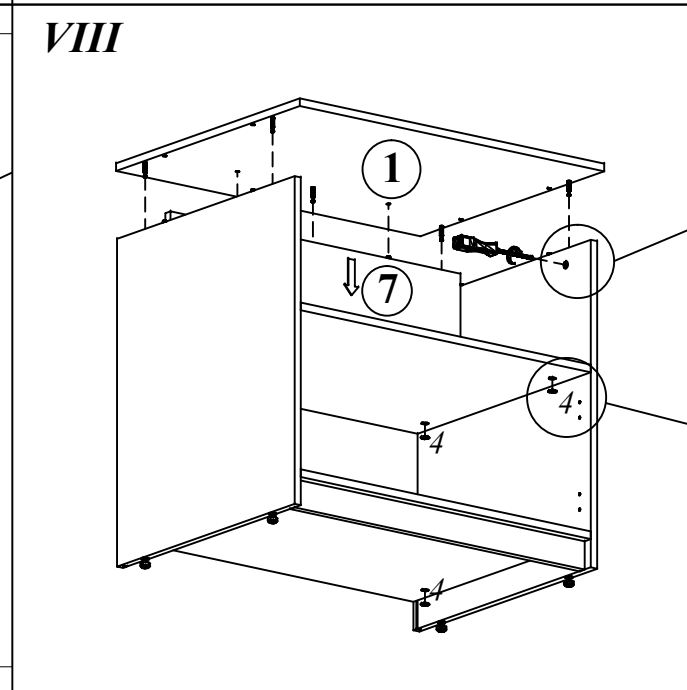
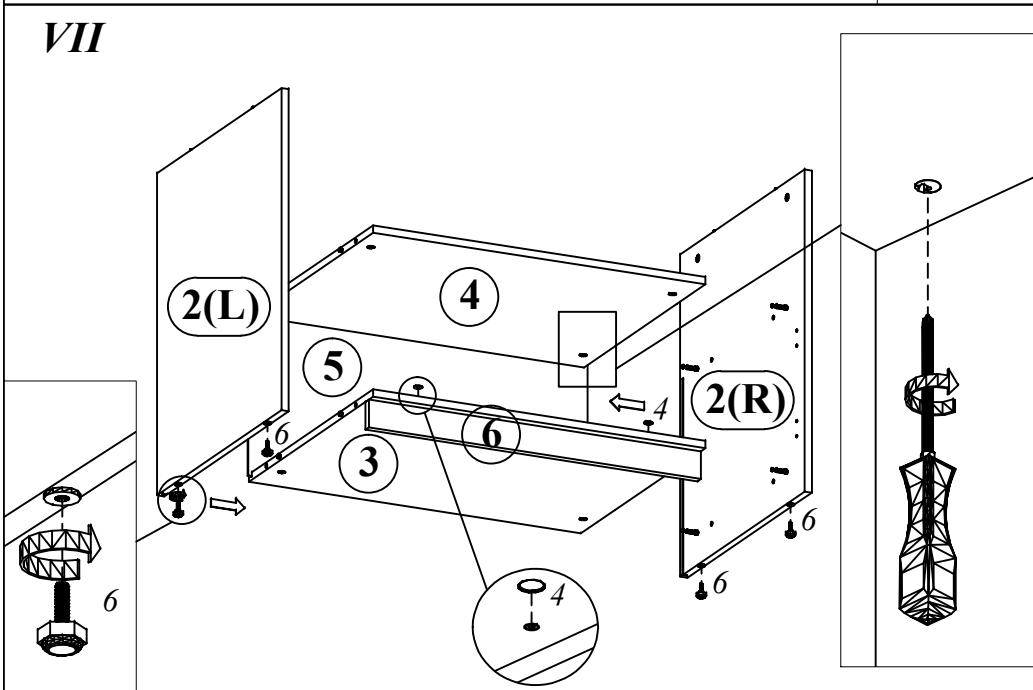
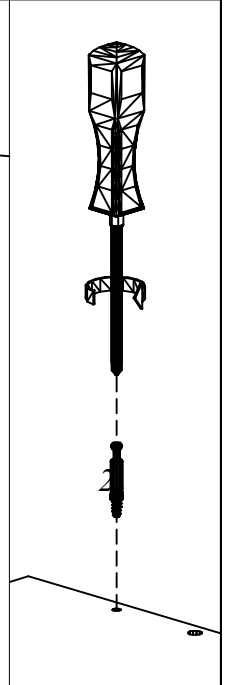
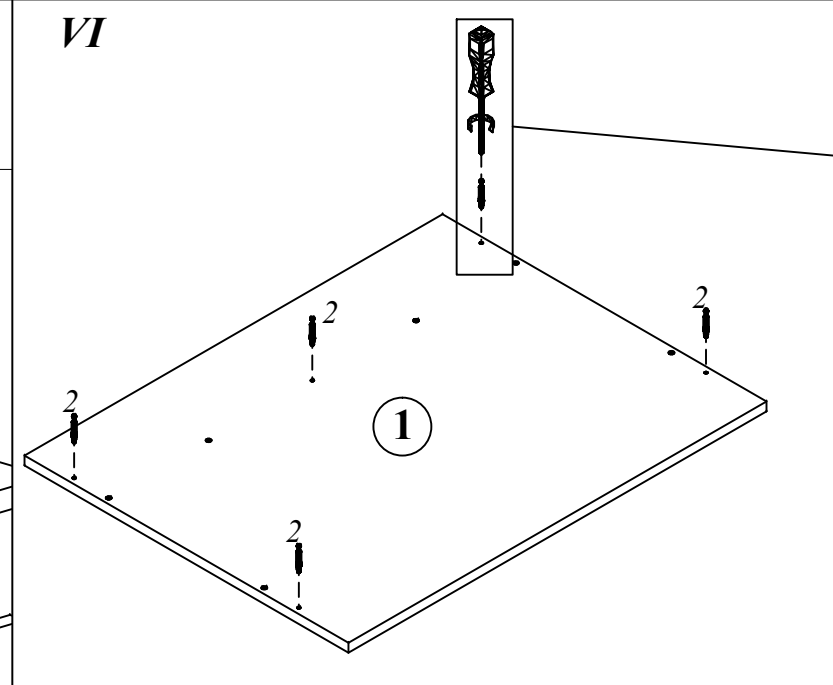
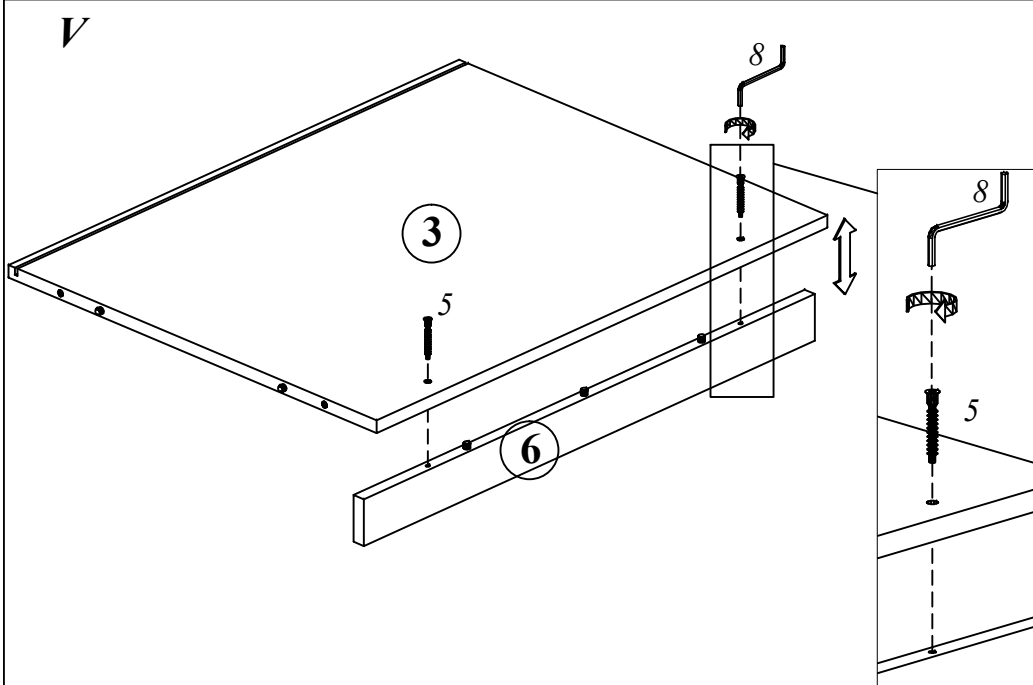
774x600x712

		8		x1	
1		x19	9		x2
2		x14	10		x4
3		x14	11		x4
4		x16	12		x4
5	 7x50	x2	13	 6,3x13	x8
6		x4	14	 4x16	x8
7		x4	15		x2

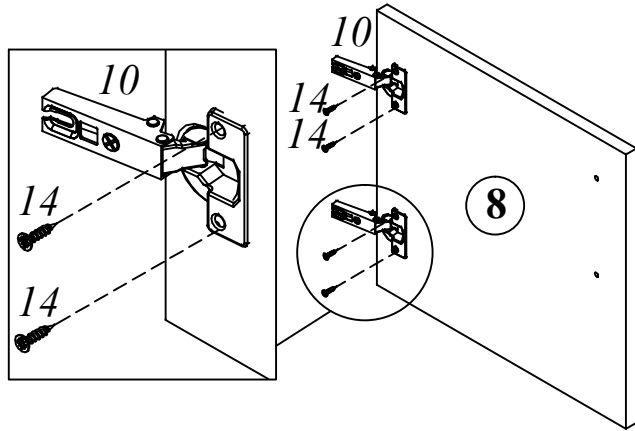


SCS 776

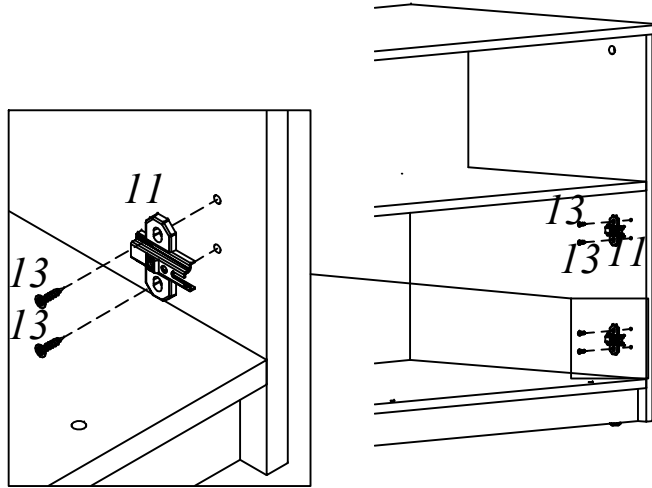
3



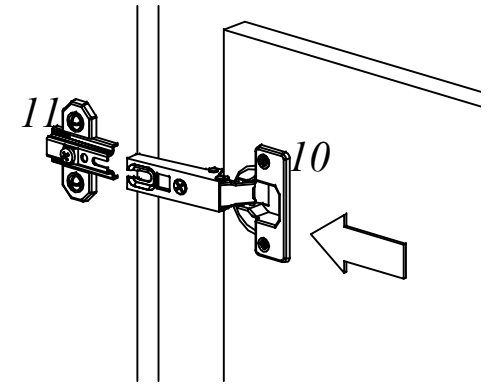
IX



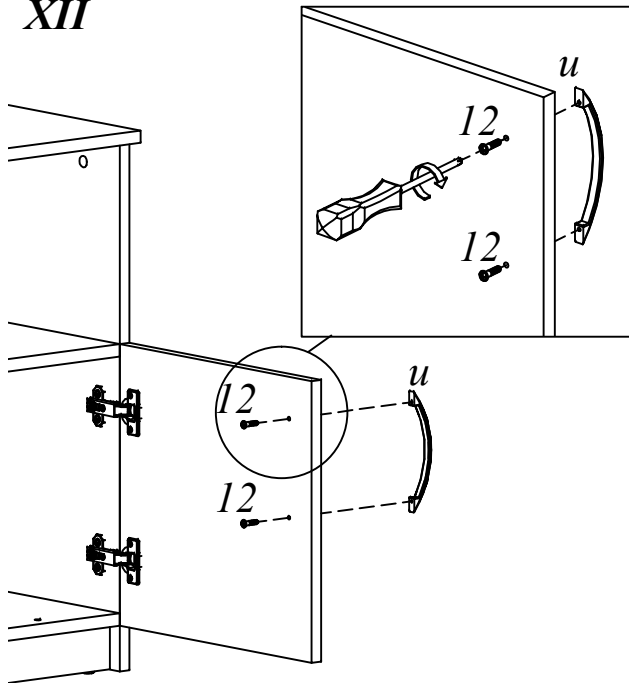
X



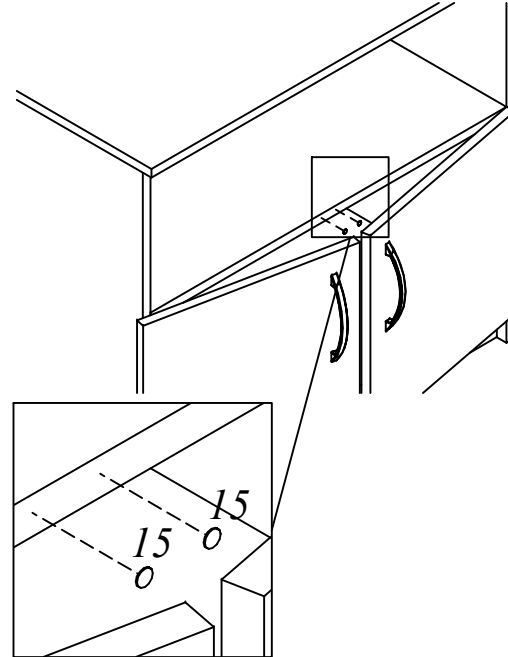
XI



XII



XIII



XIV

